



Installation and Operating Instructions

Models:
T4-12LOW-9IS-1

As part of Parmco Appliances commitment to improving and updating product ranges, we reserve the right to alter, change and update technical specifications and appearance attributes of all Parmco Appliances products. E&OE.

727626032017



p: 09 573 5678
 f: 09 573 5699
 e: sales@parmco.co.nz
 w: www.parmco.co.nz



*Parmco Appliances
 extended 7 year
 warranty*

The Warranty:

- This appliance is intended for domestic use in the owners' home. Use of the appliance for commercial purposes will limit the warranty period (please see Parmco website for commercial details).
- Subject to the terms and conditions contained within this warranty, if the product is not of Acceptable Quality (as defined in the Consumer Guarantees Act) within 7 years of the date of original purchase, then Parmco Sales undertakes to repair or, at its sole discretion, replace the product.
- The warranty does not cover the costs of transport, mileage or travelling time if the product is located beyond 30km of a recognised Service Agent.
- This warranty is offered as an extra benefit, and does not affect other legal rights, which can not be modified or excluded by agreement.
- This warranty only applies to goods supplied and installed in the North and South Islands of New Zealand.
- The provisions of this warranty are in addition to the rights and remedies available to consumers under the Consumer Guarantees Act 1993.

Product _____ Date of purchase _____
 Serial Number _____
 Dealer / Retailers Name _____

 Please retain this Warranty card together with receipt or other proof of purchase date when seeking service during the warranty period

Please contact Parmco at 09 573 5678 if your appliance needs servicing under warranty. Please have your model number and proof of purchase ready. Warranty repairs must be authorized by Parmco.



The Warranty is not valid:

- If the product is not installed and operated in accordance with the operating instructions.
- If the product is not installed to comply with the electrical, gas, plumbing and other Regulations and Codes of Practice in New Zealand.
- If the product is operated on voltages or frequencies outside the normal range for domestic appliances in New Zealand.
- If the product is not used in normal domestic use, or if it is used in a business as defined in the Consumer Guarantees Act.
- If any serial number has been removed or defaced.
- If proof of date of purchase is not supplied, except at the sole discretion of Parmco Sales. Proof of purchase can be for the product itself, or if installed with a kitchen or house then proof of purchase can be from a Parmco reseller of products supplied by Parmco.
- If the products are purchased in a second hand condition from other parties (including but not limited to TradeMe, Sella, etc.)

Liability under this warranty will not be accepted for:

- Wear and tear caused by normal domestic use of the product.
- Damage in transport.
- Damage caused to the product by neglect, abuse, negligence, wilful act or misuse.
- Any costs associated with the repair, replacement, removal or reinstallation of products installed in a damaged condition.
- Any defect caused by accident, misuse, neglect, tampering with or unauthorised modifications of the appliance or any attempt at internal adjustment or repair by any person other than an Authorised Service Agent.
- Service calls that relate principally to the following:
 - Instruction on how to use the product.
 - Repair or replacement of house fuses, electrical wiring, gas fitting or plumbing.
 - Normal or scheduled maintenance including blocked filters or ducting.
 - Consumable items such as light bulbs.
 - Any damage to hobs caused by spills when cooking.
 - Any breakage or damage of glass items.
- Any damage caused by non recommended product used for cleaning, maintaining, lubricating or similar.
- Any aspect relating to the installation of the product, or damage caused during installation including blocked access for repair.
- Any third party (including reseller) or consequential loss or damage (direct or indirect) however arising.



PARMCO

Dear Valued Customer,

Thank you and congratulations on purchasing your new Parmco appliance.

All Parmco products are made to the highest quality and design standards. We are sure you will enjoy your new appliance.

As a note, please read through these instructions carefully. These will assist you in gaining a complete understanding of the functions and features offered by your appliance. Please take special note of all detailed technical information and installation instructions. It is essential that you follow these instructions to ensure the safety and reliability of this appliance.

Furthermore, not using appropriate personnel to install this appliance may affect any future warranty claims lodged, so please check with Parmco Appliances before any installation is carried out.

We hope you enjoy your new appliance. If you would like to find out more about this product or any other products in Parmco's extensive range, visit us online at www.parmco.co.nz.

Regards,

The Parmco Team



Cook



Vent



Clean



Cool



Laundry

INDEX

Content	Page
Important Safety Information	4
Safety Information	5
Use and Care	6
Installation	7
Maintenance	10

IMPORTANT SAFETY INFORMATION



For best performance and to extend the life of your appliance we recommend that you read the instructions in this owner's manual thoroughly before using your new appliance. It will provide you with all the information you need to ensure its safe installation, proper use and maintenance. Retain this owner's manual for future reference.

To maintain the efficiency and safety of this appliance we recommend the following:

BEFORE USING THIS APPLIANCE

Read the instructions thoroughly

- Remove all plastic protective films on the appliance before operating the appliance.
- The brackets and screws to fix this canopy to the wall are provided and are fixed to the inside packaging. Please check that the brackets and screws are not discarded with the packaging.
- This canopy must be installed by a qualified professional.
- Parmco is not liable for any damages or injuries caused as a result of not following the installation instructions in this manual.

SAFETY INFORMATION

- This appliance is designed for non-commercial, household use only and must not be altered in any way.
- This appliance can only be used safely when it is correctly connected to an efficient earthing system in compliance with New Zealand Electrical Standards requirements.
- Before maintenance or cleaning always ensure that the appliance is disconnected from the mains.
- Packaging items such as plastic bags, polystyrene, nails etc. that this appliance is delivered in are potentially dangerous, and therefore appropriate measure must be taken to prevent children from coming into contact with them.
- This appliance must only be used by adults. Make sure that children do not touch the controls or play with the appliance. Young children should be supervised to ensure they do not play with the appliance.
- This appliance is not intended for use by persons (including children) with reduced physical, sensory, or mental capabilities, or lack of experience and knowledge, unless they have been given supervision or instruction concerning the use of this appliance by a person responsible for their safety.
- The exposed parts of this appliance heat up during the cooking process and remain hot for some time afterwards, even after it has been switched off. Keep children well away during operation and while the unit is cooling down.
- Keep the appliance thoroughly cleaned. Residues may cause fire risks.
- DO NOT use a steam cleaner to clean this appliance.
- Avoid improper or dangerous use of this appliance.
- Do not obstruct the ventilation or heat dissipation slots.
- This appliance is intended for indoor use only. Avoid exposing the appliance to atmospheric elements such as direct sunlight and rain.
- If the supply cord is damaged, it must be replaced by a service agent or a similarly qualified person.

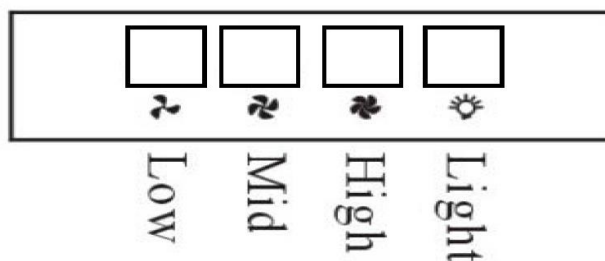
FEATURES

- Your canopy has been constructed using high quality materials.
- Your canopy is fitted with a powerful centrifugal fan and is equipped with a low noise electric motor.
- Your canopy produces strong suction to rapidly ventilate your kitchen environment and each model contains aluminium mesh filters designed to trap grease from the air as it is removed from your kitchen.
- Depending on the model you have purchased you will enjoy either incandescent, halogen or LED lighting from your appliance.

USE AND CARE

Instructions of USE

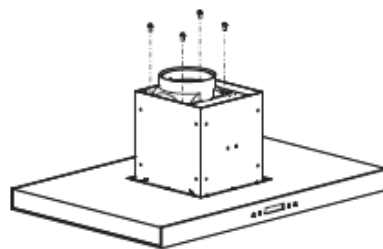
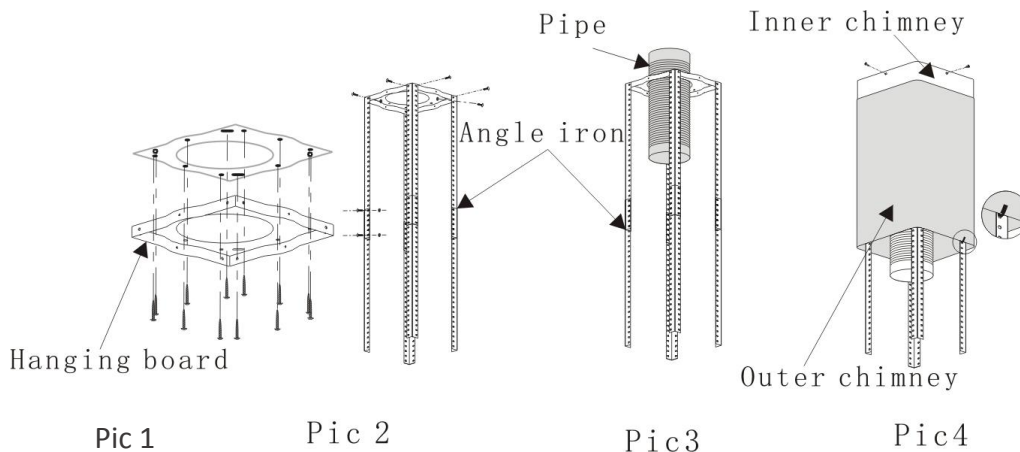
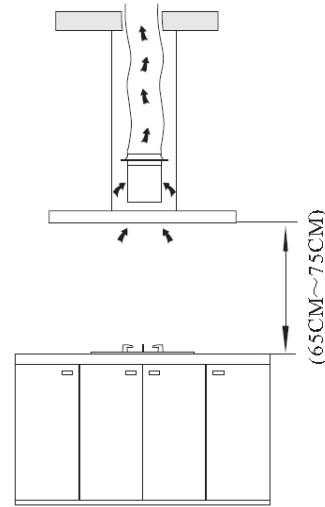
Electronic Buttons



1. Push button “low”, the back light comes on, the buzzer will sound once and the motor runs at low speed. Push it again and the motor will stop.
2. Push button “mid”, the back light comes on, the buzzer will sound once and the motor runs at medium speed. Push it again and the motor will stop.
3. Push button “high”, the back light comes on, the buzzer will sound once and the motor runs on high speed. Push it again and the motor will stop.
4. Push button “light”, the lights come on. Push it again and the lights will turn off.

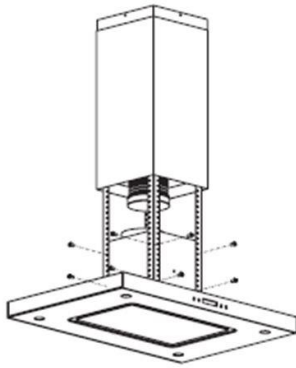
INSTALLATION

1. The ceiling must be able to bear at least 120kgs weight, and the thickness of the ceiling must be $\geq 30\text{MM}$, drill 1*170mm round hole in the ceiling.
2. Put hanging plate against ceiling and drill 12 holes, see pic 1, 12pcs of ST6*40mm big flat screws will be used to fix the hanging plate on the ceiling, and then 8pcs of M4*10 screws and M4 nut with washer will be used to connect the angle iron into the hanging plate, see pic 1, calculate the length of the angle iron, and 16pcs M4*10 big flat screws and M4 nut with washer will be used to connect the 2 pieces of angle iron (the overlap length of angle iron cannot be less than 100MM).
3. Let one side of the extendible pipe go outside through the hole of 170MM, see pic 3.
4. 4pcs ST4*8 big flat screws will be used to connect the internal chimney onto the hanging plate. Then put on the external chimney, two hooks will be used to put up the external chimney, see pic 4.
5. 4pcs ST4*8 big flat screws will be used to install the outlet, see pic 5.

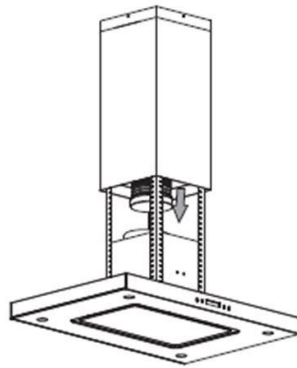


Pic 5

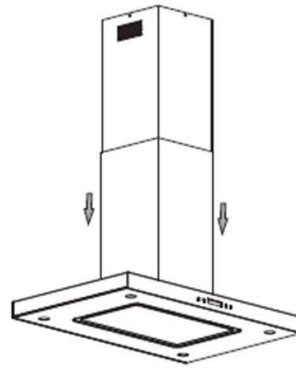
6. Hold up the hood, 16pcs M4*10 big flat screws will be used to connect the hood body into angle iron, see pic 6.
7. Put the extendible pipe on the outlet; after ensuring correct installation, pull down the external chimney, see pic 7& 8.



Pic 6



Pic 7



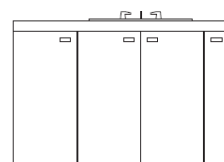
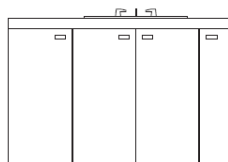
Pic 8

NOTICE OF INSTALLATION



Installation of kitchen ventilation over electrical and gas cooktops must be undertaken in full accordance and reference to the relevant New Zealand building standards.

1. Before installation, please ensure the area is clean to avoid suction of the remaining bits of broken wood and dust.
2. It cannot share the same air ventilation tube with other appliance such as gas tube, warmer tube, and hot wind tube.
3. The bending of ventilation tube should be $\leq 120^\circ$, parallel or above the start point and should be connected to the external wall.
4. After installation, make sure that the extractor is level to avoid grease collection at one end.



When the canopy is located above a gas appliance, the minimum distance from the top of the cooking surface should be at least 75cm and comply with the relevant New Zealand standards.

When the canopy is located above an electric cooking surface the minimum distance from the top of the cooking surface should be at least 65cm and comply with the relevant New Zealand standards.

If installation instructions for the gas hob you are using specify a greater distance please follow the hob manufacturer's recommendation.

Regulations concerning the discharge of air must be adhered to. Please refer to the relevant New Zealand standards.

NOTE TO INSTALLER: Any reduction in the ducting diameter size from the canopies ventilation outlet may either cause loss of suction, excessive noise or motor failure. Any warranty claim where this is found to be the problem will not be covered under your manufacturer's warranty.

MAINTENANCE

Cleaning of the Mesh Grease Filter

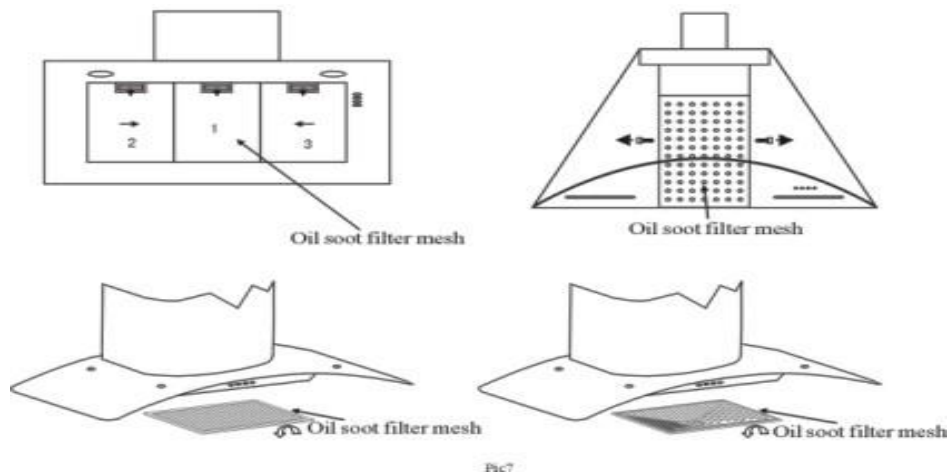


The filter mesh is made of high-density aluminium and stainless steel. Please do not use corrosive detergents on it. If using a dishwasher to clean filters, please ensure that a non-caustic detergent is used. Keeping this filter clean will keep the appliance running correctly.

Cleaning Method

Method 1: Put the mesh into 40-50°C clean soapy water. Allow soaking for several minutes. Clean with a soft brush. Do not apply too much pressure as the mesh is delicate and will damage easily.

Method 2: If the detergent used in the dishwasher is of a non-caustic type, mesh filters can be put into a dishwasher. Set the temperature at around 60°C.



Cleaning of the Canopy

- Before cleaning the appliance, please remember to turn off the power.
- To protect the main body from corrosion over time, it is essential that the canopy be frequently cleaned with hot water plus non-corrosive detergent.
- It is essential that the unit be dried with a suitable soft cloth after cleaning as residual moisture can promote corrosion.
- Do not use abrasive agents for cleaning, as this will damage the stainless steel body.
- Keep the motor and other spare parts free from water, as this will cause damage to the appliance.
- Please don't tear open the fixed bar around the carbon filter

Replacing LED lights

Warning: The rangehood must be disconnected prior to this procedure being carried out.

To replace the light, remove the filters, and push the light downwards, and unplug the wiring connector.

